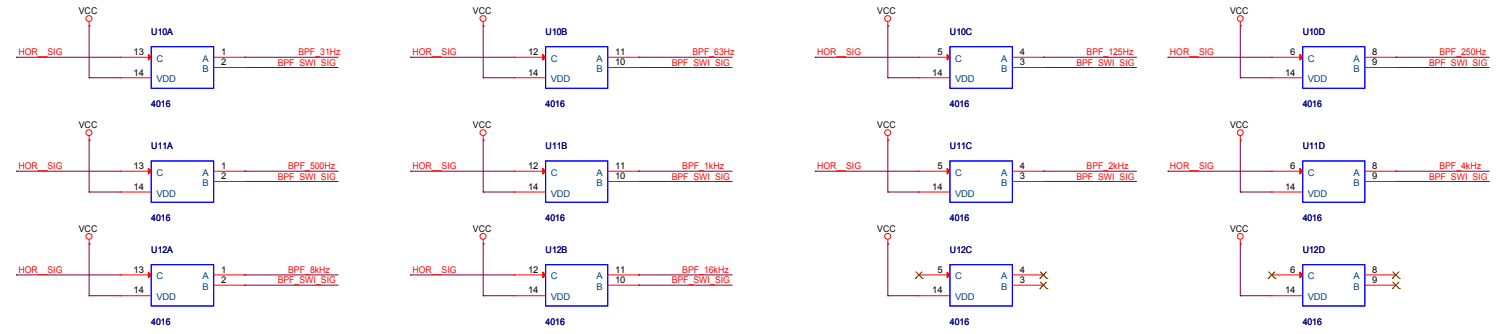
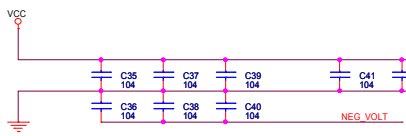


Band Pass Filter

None Inverting Adder



Analog Switch



Bypass Cap.