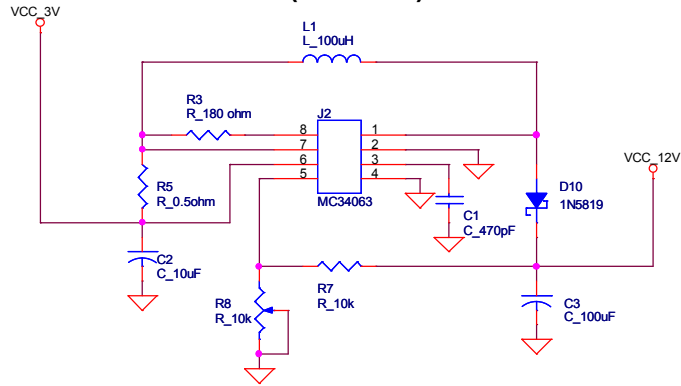
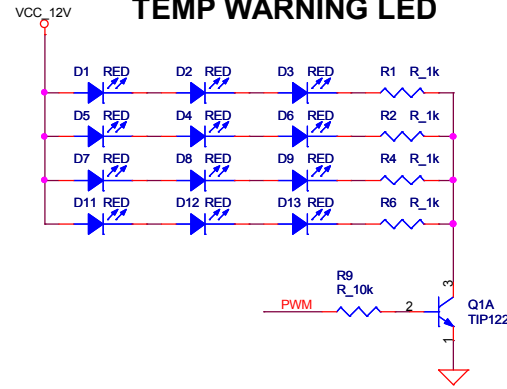


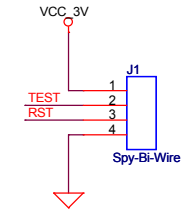
DC-DC CONVETER (3V->12V)



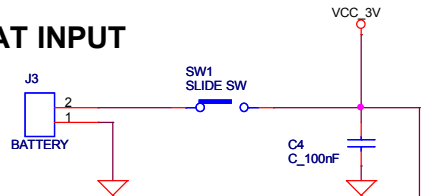
TEMP WARNING LED



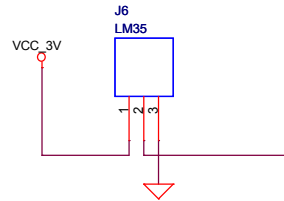
DOWNLOAD & DEBUG



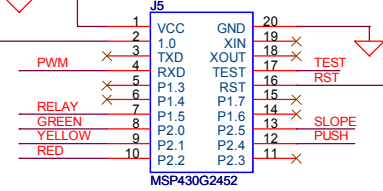
BAT INPUT



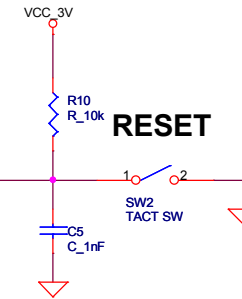
TEMP SENSOR



MSP430



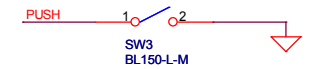
RESET



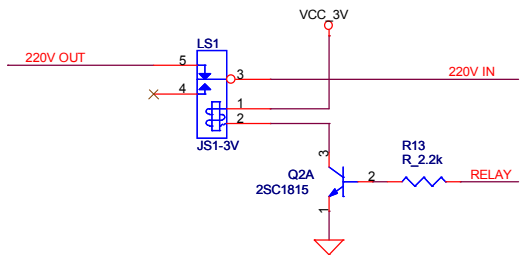
SLOPE SWITCH



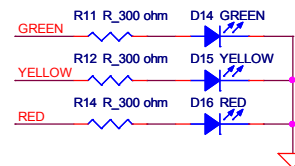
PUSH SWITCH



RELAY SWITCH



TEMP LEVEL LED



Title			<Title>
Size			B
Document Number	Jaejun Han/HUFS		Rev
Date:	Sunday, March 30, 2014	Sheet	1 of 1